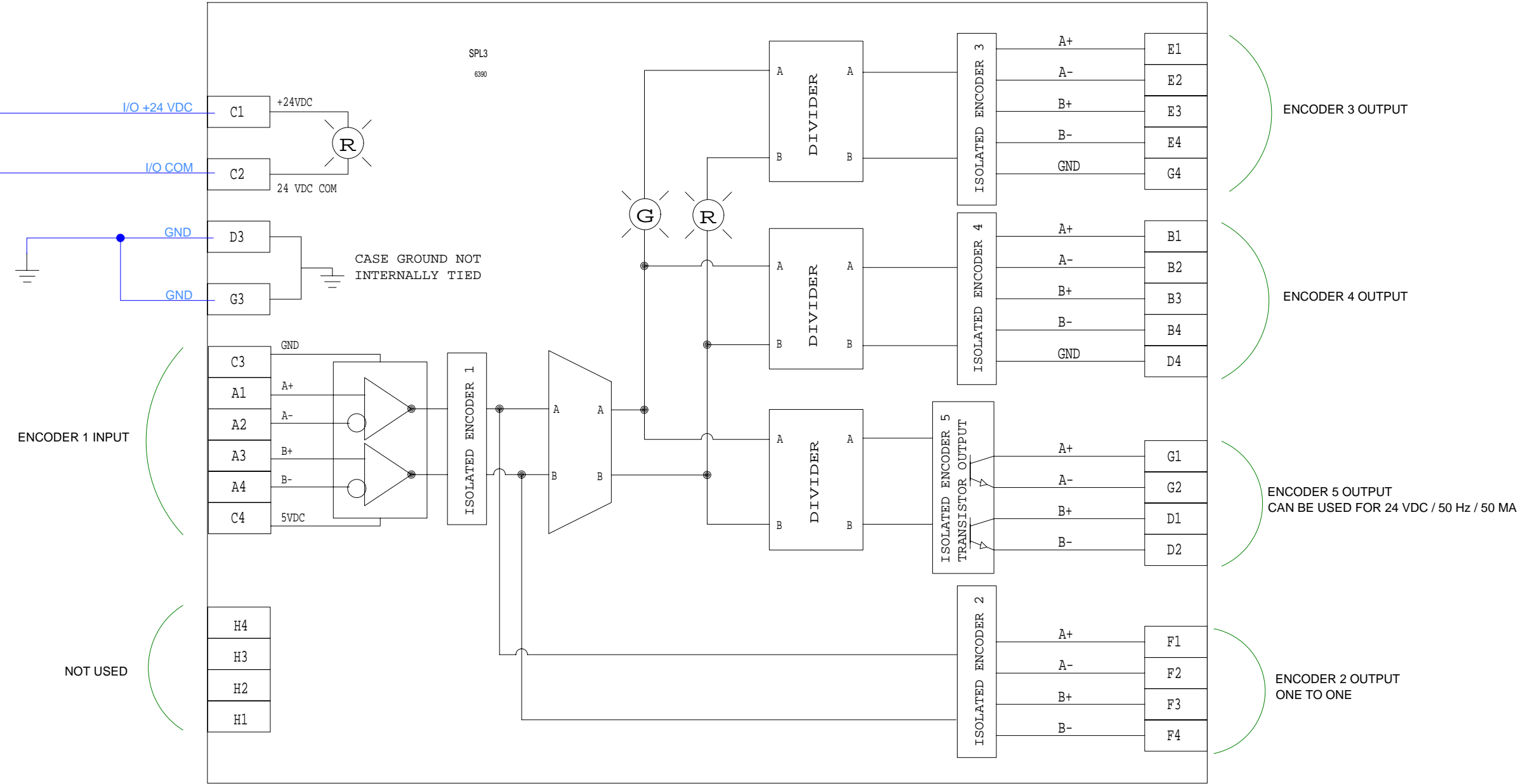


100  
101  
102  
103  
104  
105  
106  
107  
108  
109  
110  
111  
112  
113  
114  
115  
116  
117  
118

# 6390 PASSTHROUGH SPLITTER



\* IF SWITCH #1 IS OFF = ENCODER #2 IS ONE TO ONE OUTPUT  
\* IF SWITCH #1 IS ON = ENCODER #2 IS AN INPUT

### SWITCH SETTINGS

| ENCODER 3     |   |   |    | ENCODER 4     |   |   |     | ENCODER 5      |   |   |     |
|---------------|---|---|----|---------------|---|---|-----|----------------|---|---|-----|
| 2, 3, 4 / DIV |   |   |    | 5, 6, 7 / DIV |   |   |     | 8, 9, 10 / DIV |   |   |     |
| 0             | 0 | 0 | 1  | 0             | 0 | 0 | 1   | 0              | 0 | 0 | 1   |
| 1             | 0 | 0 | 2  | 1             | 0 | 0 | 2   | 1              | 0 | 0 | 2   |
| 0             | 1 | 0 | 3  | 0             | 1 | 0 | 4   | 0              | 1 | 0 | 4   |
| 1             | 1 | 0 | 4  | 1             | 1 | 0 | 8   | 1              | 1 | 0 | 8   |
| 0             | 0 | 1 | 6  | 0             | 0 | 1 | 16  | 0              | 0 | 1 | 16  |
| 1             | 0 | 1 | 8  | 1             | 0 | 1 | 32  | 1              | 0 | 1 | 32  |
| 0             | 1 | 1 | 12 | 0             | 1 | 1 | 64  | 0              | 1 | 1 | 64  |
| 1             | 1 | 1 | 24 | 1             | 1 | 1 | 128 | 1              | 1 | 1 | 128 |

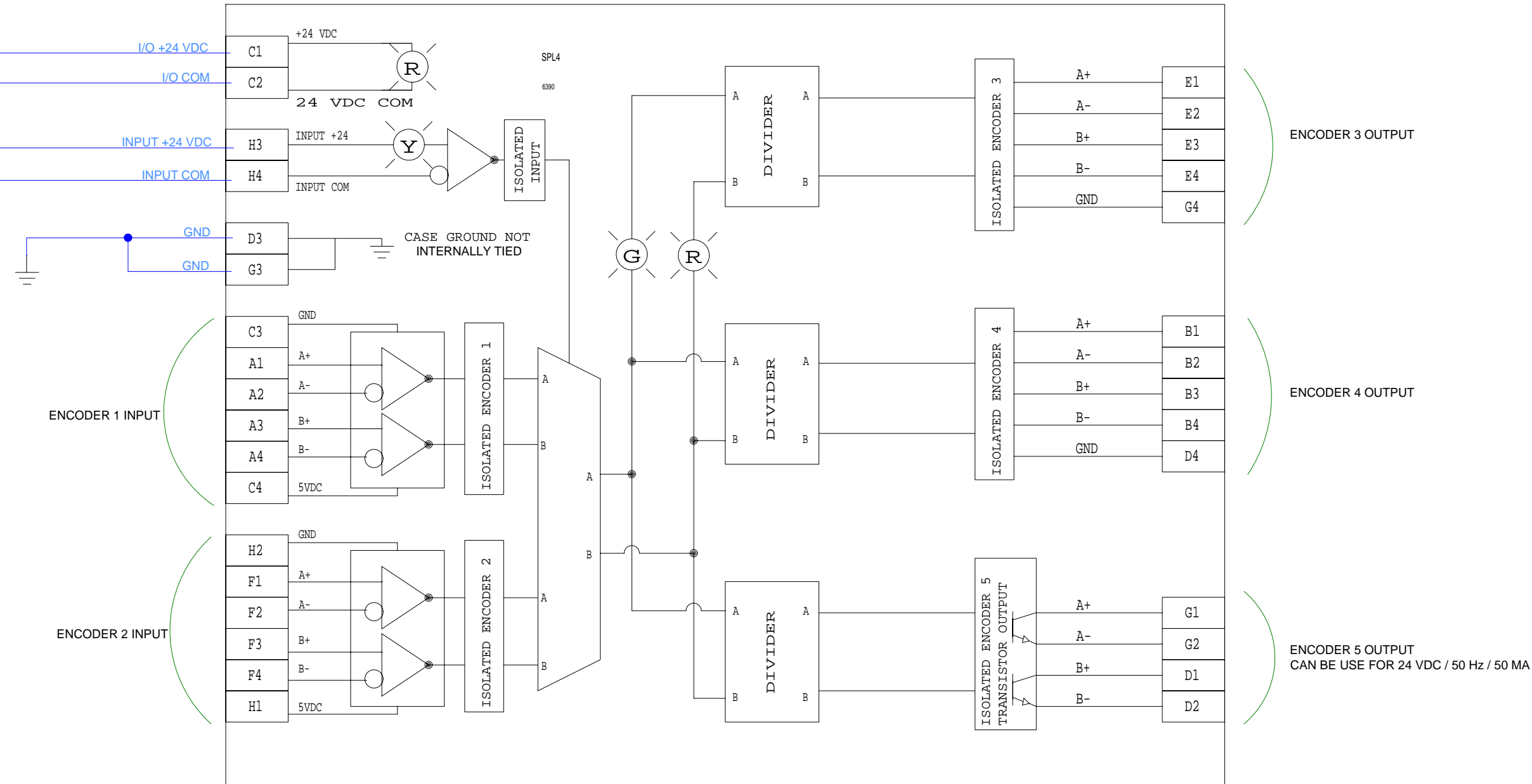
|             |                         |          |         |         |               |     |
|-------------|-------------------------|----------|---------|---------|---------------|-----|
|             | Date                    | Initials | Check 1 | Check 2 | Revision Date | By: |
|             | 7/16/2007               | KLL      | RCB     |         | A             |     |
| Stage       | Project                 | Page     |         |         |               |     |
| Preliminary | AMS Controls            | 1 of 2   |         |         |               |     |
| App'd       | 6390 Splitter Interface |          |         |         |               |     |

Notes:  
CUSTOMER IS RESPONSIBLE FOR INSTALLING ADEQUATE SAFETY DEVICES AND GUARDS FOR THE PROTECTION OF PERSONNEL AND MACHINERY.

**COMPONENTS THAT APPEAR IN A DASHED BOX ARE CUSTOMER SUPPLIED COMPONENTS.**

200  
201  
202  
203  
204  
205  
206  
207  
208  
209  
210  
211  
212  
213  
214  
215  
216  
217  
218

# 6390 SWITCHED SPLITTER



\* IF SWITCH #1 IS OFF = ENCODER #2 IS ONE TO ONE OUTPUT  
 \* IF SWITCH #1 IS ON = ENCODER #2 IS AN INPUT  
 NO POWER ON H3 AND H4 = ENCODER #1 (INPUT) SELECTED  
 POWER APPLIED TO H3 AND H4 = ENCODER #2 (INPUT) SELECTED

### SWITCH SETTINGS

| ENCODER 3     |   |   |    | ENCODER 4     |   |   |     | ENCODER 5      |   |   |     |
|---------------|---|---|----|---------------|---|---|-----|----------------|---|---|-----|
| 2, 3, 4 / DIV |   |   |    | 5, 6, 7 / DIV |   |   |     | 8, 9, 10 / DIV |   |   |     |
| 0             | 0 | 0 | 1  | 0             | 0 | 0 | 1   | 0              | 0 | 0 | 1   |
| 1             | 0 | 0 | 2  | 1             | 0 | 0 | 2   | 1              | 0 | 0 | 2   |
| 0             | 1 | 0 | 3  | 0             | 1 | 0 | 4   | 0              | 1 | 0 | 4   |
| 1             | 1 | 0 | 4  | 1             | 1 | 0 | 8   | 1              | 1 | 0 | 8   |
| 0             | 0 | 1 | 6  | 0             | 0 | 1 | 16  | 0              | 0 | 1 | 16  |
| 1             | 0 | 1 | 8  | 1             | 0 | 1 | 32  | 1              | 0 | 1 | 32  |
| 0             | 1 | 1 | 12 | 0             | 1 | 1 | 64  | 0              | 1 | 1 | 64  |
| 1             | 1 | 1 | 24 | 1             | 1 | 1 | 128 | 1              | 1 | 1 | 128 |

|       |              |           |          |     |         |                         |         |               |   |     |  |
|-------|--------------|-----------|----------|-----|---------|-------------------------|---------|---------------|---|-----|--|
|       | Date         | 7/17/2007 | Initials | KLL | Check 1 | RCB                     | Check 2 | Revision Date | A | By: |  |
|       | Order Number |           |          |     | Page    | 2                       | of 2    |               | B |     |  |
| Stage | Preliminary  |           |          |     | Project | AMS Controls            |         |               |   |     |  |
| App'd |              |           |          |     | Project | 6390 Splitter Interface |         |               |   |     |  |
|       |              |           |          |     |         |                         |         |               | C |     |  |
|       |              |           |          |     |         |                         |         |               | D |     |  |

Notes:  
 CUSTOMER IS RESPONSIBLE FOR INSTALLING ADEQUATE SAFETY DEVICES AND GUARDS FOR THE PROTECTION OF PERSONNEL AND MACHINERY.  
**COMPONENTS THAT APPEAR IN A DASHED BOX ARE CUSTOMER SUPPLIED COMPONENTS.**