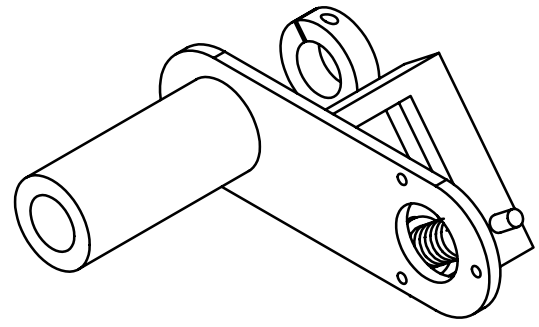
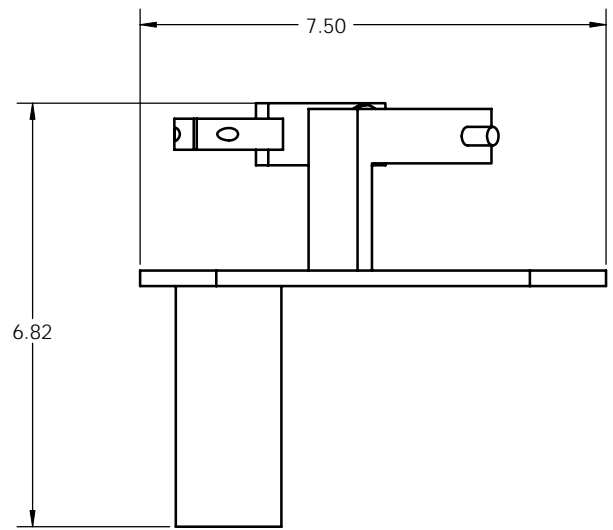
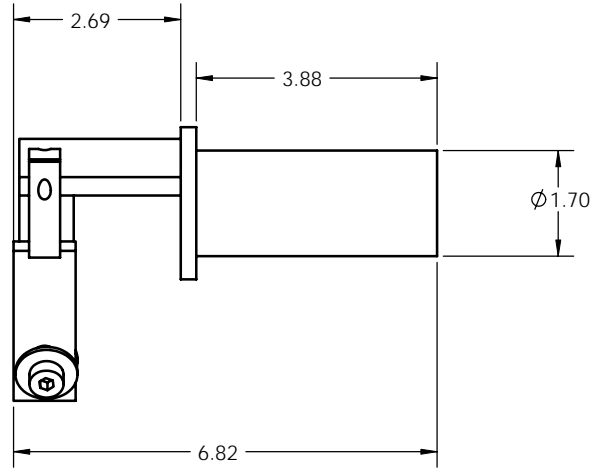
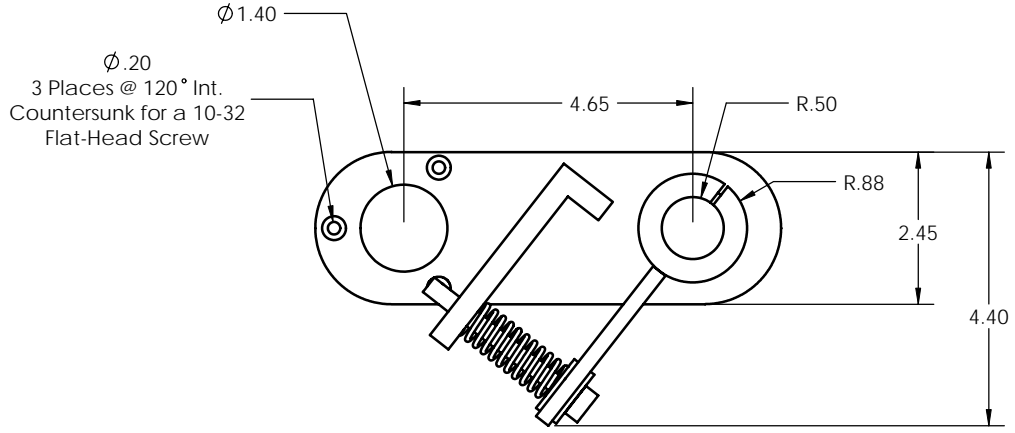


8 7 6 5 4 3 2 1

REVISIONS			
REV.	DESCRIPTION	DATE	APPROVED



D C B A

8 7 6 5 4 3 2 1

UNLESS OTHERWISE SPECIFIED DIMENSIONS ARE IN INCHES TOLERANCES ARE:		CAD GENERATED DRAWING. DO NOT MANUALLY UPDATE		AMS CONTROLS, INC.	
DECIMALS X ± 0.30 XX ± 0.10 XXX ± 0.05 XXXX ± 0.01	FRACTIONS ± 0.10 ANGLES ± 0.50	APPROVALS	DATE		
MATERIAL see notes		DRAWN RDH	06/09/11	BRKT-1 Dimensional Drawing	
FINISH see notes		CHECKED			
DO NOT SCALE DRAWING		RESP ENG		SIZE B	DWG. NO. V1
		MFG ENG		SCALE	CAD FILE
		QUAL ENG		REV. A	
				SHEET X OF X	