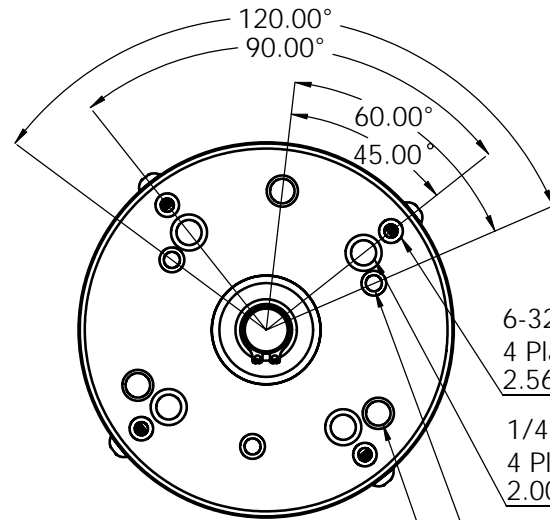
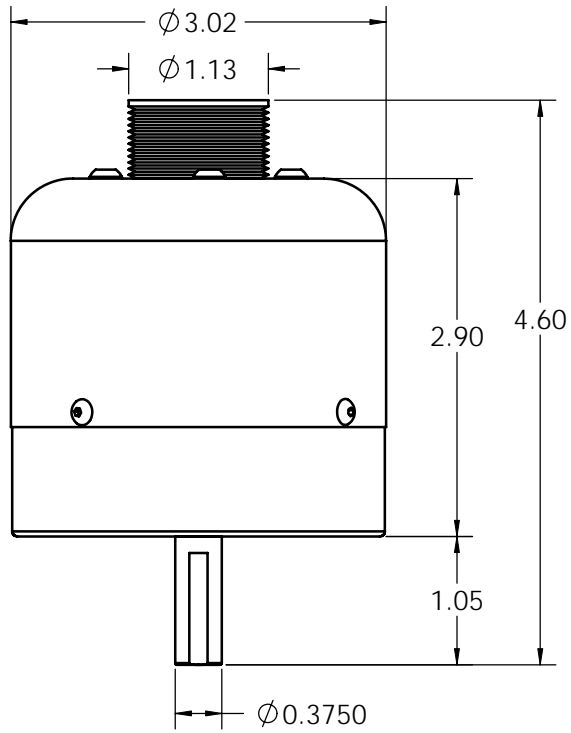


THE INFORMATION CONTAINED IN THIS DRAWING IS THE SOLE PROPERTY OF AMS CONTROLS, INC. ANY REPRODUCTION IN PART OR WHOLE WITHOUT THE WRITTEN PERMISSION OF AMS CONTROLS, INC. IS PROHIBITED. BY SUPPLYING AMS CONTROLS, INC. WITH THE LISTED COMPONENTS, YOU AGREE THAT THEY CONFORM TO THE REQUIREMENTS OF THE EUROPEAN UNION'S RESTRICTION ON USE OF HAZARDOUS SUBSTANCES ("ROHS") DIRECTIVE, 2002/95/EC.



REVISIONS			
REV.	DESCRIPTION	DATE	APPROVED

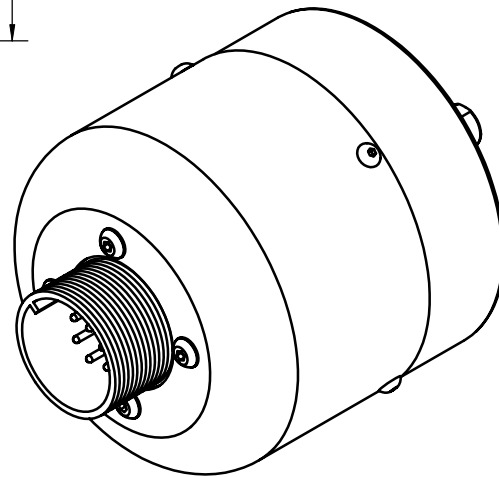


6-32, .350" Deep
4 Places @ 90.00° Int.
2.562" Diameter B.C.

1/4-20, .500" Deep
4 Places @ 90.00° Int.
2.00" Diameter B.C.

M4x0.7, .500" Deep
3 Places @ 120.00° Int.
1.89" Diameter B.C.

10-32, .450" Deep
3 Places @ 120.00° Int.
2.25" Diameter B.C.



UNLESS OTHERWISE SPECIFIED DIMENSIONS ARE IN INCHES TOLERANCES ARE:		CAD GENERATED DRAWING. DO NOT MANUALLY UPDATE	
DECIMALS X ± 0.30 XX ± 0.10 XXX ± 0.05 XXXX ± 0.01	FRACTIONS ± 0.10 ANGLES ± 0.50	APPROVALS DRAWN RDH CHECKED	DATE 05-27-11
MATERIAL see notes	FINISH see notes	RESP ENG	MFG ENG
DO NOT SCALE DRAWING	QUAL ENG	SCALE	CAD FILE

AMS CONTROLS, INC.			
Encoder Dimensional Drawing			
SIZE B	DWG. NO. V1	REV. A	
SCALE	CAD FILE	SHEET X OF X	