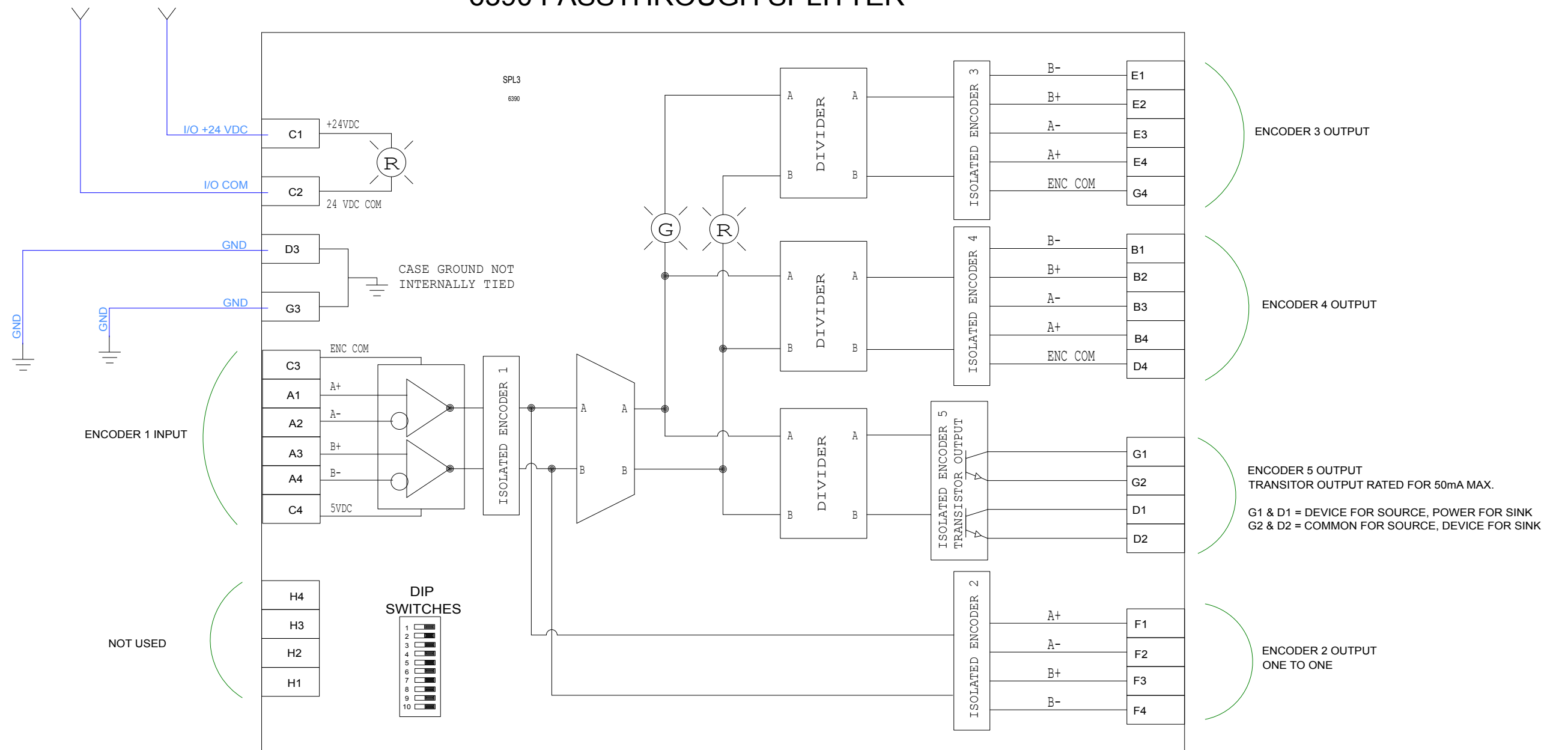


6390 PASSTHROUGH SPLITTER

100
101
102
103
104
105
106
107
108
109
110
111
112
113
114
115
116
117
118



* IF SWITCH #1 IS ON = ENCODER #2 IS AN INPUT
 * NO POWER APPLIED TO H3 AND H4 - ENCODER #1 INPUT SELECTED
 * POWER APPLIED TO H3 AND H4 - ENCODER #2 INPUT SELECTED
 (H3 = DC COMMON : H4 = +24VDC)
 * ONLY ONE SIDE NEEDS TO BE SWITCHED

* IF SWITCH #1 IS OFF = ENCODER #2 IS ONE TO ONE OUTPUT
 * IF SWITCH #1 IS ON = ENCODER #2 IS AN INPUT

SWITCH SETTINGS

| ENCODER 3 | | | | ENCODER 4 | | | | ENCODER 5 | | | |
|-----------|---|---|-----|-----------|---|---|-----|-----------|---|----|-----|
| 2 | 3 | 4 | DIV | 5 | 6 | 7 | DIV | 8 | 9 | 10 | DIV |
| 0 | 0 | 0 | 1 | 0 | 0 | 0 | 1 | 0 | 0 | 0 | 1 |
| 1 | 0 | 0 | 2 | 1 | 0 | 0 | 2 | 1 | 0 | 0 | 2 |
| 0 | 1 | 0 | 3 | 0 | 1 | 0 | 4 | 0 | 1 | 0 | 4 |
| 1 | 1 | 0 | 4 | 1 | 1 | 0 | 8 | 1 | 1 | 0 | 8 |
| 0 | 0 | 1 | 6 | 0 | 0 | 1 | 16 | 0 | 0 | 1 | 16 |
| 1 | 0 | 1 | 8 | 1 | 0 | 1 | 32 | 1 | 0 | 1 | 32 |
| 0 | 1 | 1 | 12 | 0 | 1 | 1 | 64 | 0 | 1 | 1 | 64 |
| 1 | 1 | 1 | 24 | 1 | 1 | 1 | 128 | 1 | 1 | 1 | 128 |

ENCODER 3 OUTPUT

ENCODER 4 OUTPUT

ENCODER 5 OUTPUT
 TRANSISTOR OUTPUT RATED FOR 50mA MAX.

G1 & D1 = DEVICE FOR SOURCE, POWER FOR SINK
 G2 & D2 = COMMON FOR SOURCE, DEVICE FOR SINK

ENCODER 2 OUTPUT
 ONE TO ONE

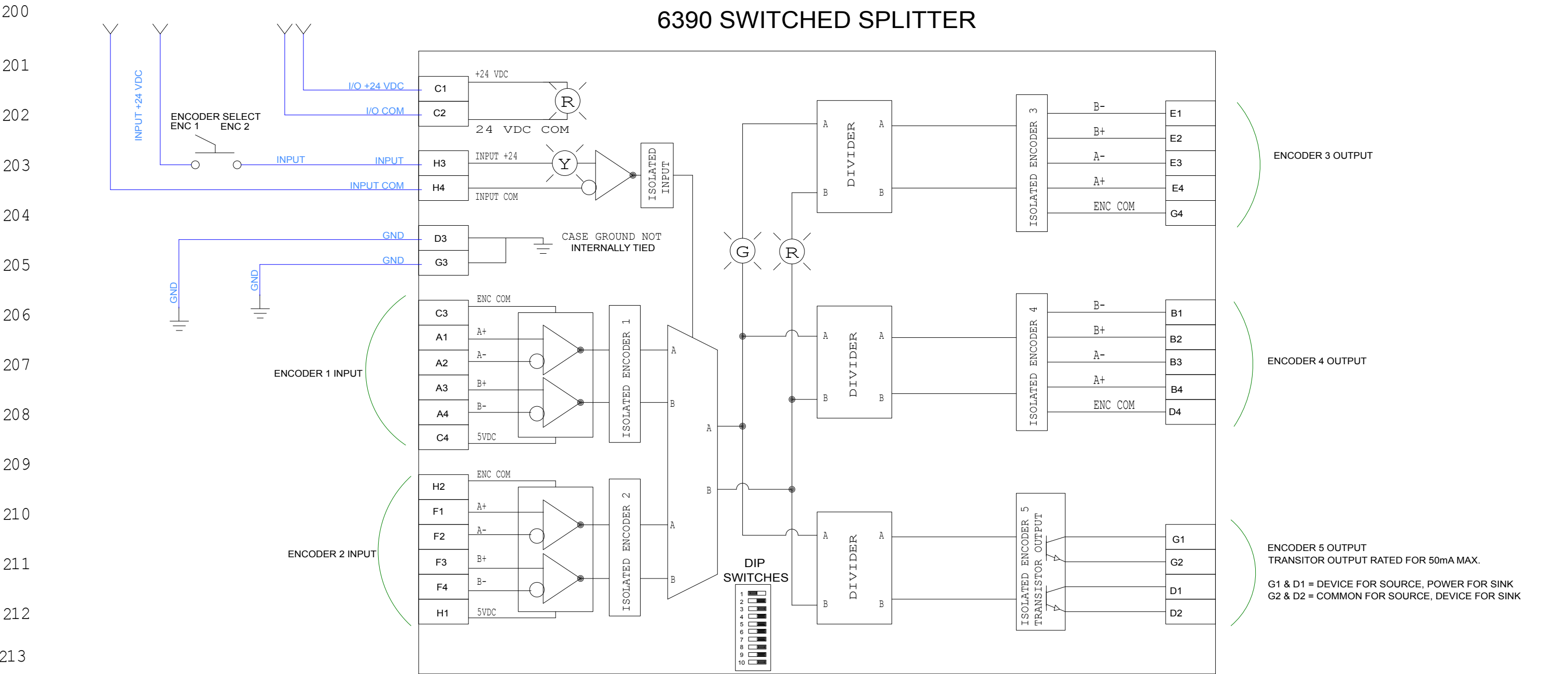


| | | | | | | | | | | |
|--------------|-----------|-------------------------|--------------|---------|-----|---------|---------------|----------|-----|-----|
| Date | 7/16/2007 | Initials | KLL | Check 1 | RCB | Check 2 | Revision Date | 11/04/08 | By: | RCB |
| Order Number | | Page | 1 | of 2 | | | | | | |
| Stage | Released | Project | AMS Controls | | | | | | | |
| App'd | | 6390 Splitter Interface | | | | | | | | |

Notes:
 CUSTOMER IS RESPONSIBLE FOR INSTALLING ADEQUATE SAFETY DEVICES AND GUARDS FOR THE PROTECTION OF PERSONNEL AND MACHINERY.

COMPONENTS THAT APPEAR IN A DASHED BOX ARE CUSTOMER SUPPLIED COMPONENTS.

6390 SWITCHED SPLITTER



* IF SWITCH #1 IS ON = ENCODER #2 IS AN INPUT
 * NO POWER APPLIED TO H3 AND H4 - ENCODER #1 INPUT SELECTED
 * POWER APPLIED TO H3 AND H4 - ENCODER #2 INPUT SELECTED
 (H3 = DC COMMON : H4 = +24VDC)
 * ONLY ONE SIDE NEEDS TO BE SWITCHED

* IF SWITCH #1 IS OFF = ENCODER #2 IS ONE TO ONE OUTPUT
 * IF SWITCH #1 IS ON = ENCODER #2 IS AN INPUT

| SWITCH SETTINGS | | | | | | | | | | | |
|-----------------|---|---|----|-----------------|---|---|-----|------------------|---|---|-----|
| ENCODER 3 | | | | ENCODER 4 | | | | ENCODER 5 | | | |
| 2 . 3 . 4 / DIV | | | | 5 . 6 . 7 / DIV | | | | 8 . 9 . 10 / DIV | | | |
| 0 | 0 | 0 | 1 | 0 | 0 | 0 | 1 | 0 | 0 | 0 | 1 |
| 1 | 0 | 0 | 2 | 1 | 0 | 0 | 2 | 1 | 0 | 0 | 2 |
| 0 | 1 | 0 | 3 | 0 | 1 | 0 | 4 | 0 | 1 | 0 | 4 |
| 1 | 1 | 0 | 4 | 1 | 1 | 0 | 8 | 1 | 1 | 0 | 8 |
| 0 | 0 | 1 | 6 | 0 | 0 | 1 | 16 | 0 | 0 | 1 | 16 |
| 1 | 0 | 1 | 8 | 1 | 0 | 1 | 32 | 1 | 0 | 1 | 32 |
| 0 | 1 | 1 | 12 | 0 | 1 | 1 | 64 | 0 | 1 | 1 | 64 |
| 1 | 1 | 1 | 24 | 1 | 1 | 1 | 128 | 1 | 1 | 1 | 128 |

200
201
202
203
204
205
206
207
208
209
210
211
212
213
214
215
216
217
218

| | | | | | | | | | | | |
|-------|--------------|-----------|-------------------------|--------------|---------|-----|---------|---------------|----------|-----|-----|
| | Date | 7/17/2007 | Initials | KLL | Check 1 | RCB | Check 2 | Revision Date | 11/04/08 | By: | RCB |
| | Order Number | | | Page | 2 of 2 | | | | | | |
| Stage | Released | | Project | AMS Controls | | | | | | | |
| App'd | | | 6390 Splitter Interface | | | | | | | | |

Notes:
 CUSTOMER IS RESPONSIBLE FOR INSTALLING ADEQUATE SAFETY DEVICES AND GUARDS FOR THE PROTECTION OF PERSONNEL AND MACHINERY.

COMPONENTS THAT APPEAR IN A DASHED BOX ARE CUSTOMER SUPPLIED COMPONENTS.