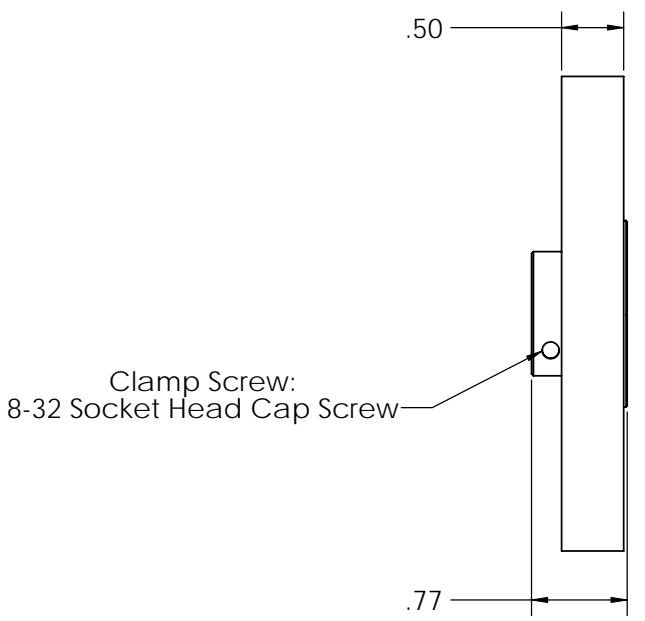
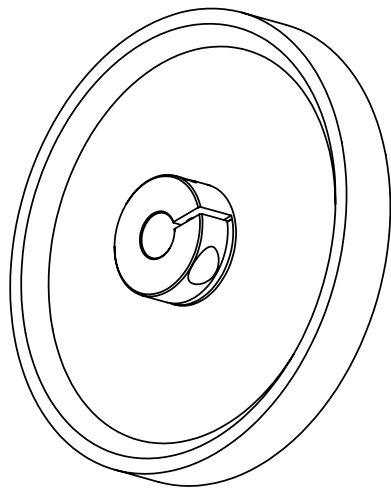
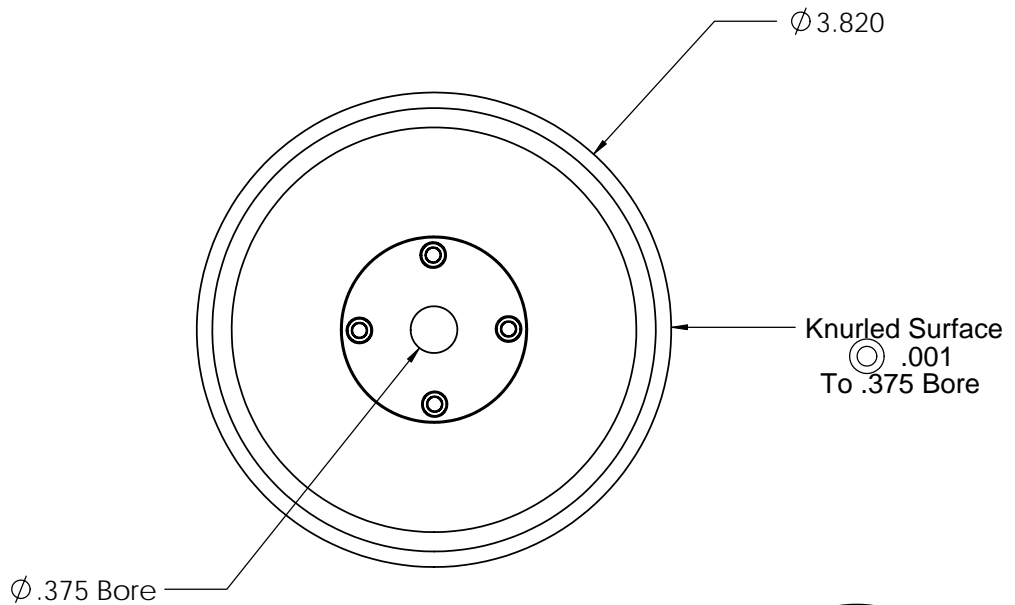


THE INFORMATION CONTAINED IN THIS DRAWING IS THE SOLE PROPERTY OF AMS CONTROLS, INC. ANY REPRODUCTION IN PART OR WHOLE WITHOUT THE WRITTEN PERMISSION OF AMS CONTROLS, INC. IS PROHIBITED. BY SUPPLYING AMS CONTROLS, INC. WITH THE LISTED COMPONENTS, YOU AGREE THAT THEY CONFORM TO THE REQUIREMENTS OF THE EUROPEAN UNION'S RESTRICTION ON USE OF HAZARDOUS SUBSTANCES ("ROHS") DIRECTIVE, 2002/95/EC.



REVISIONS			
REV.	DESCRIPTION	DATE	APPROVED



Materials
 Wheel: Case-Hardened Steel
 Hub: Aluminum

UNLESS OTHERWISE SPECIFIED DIMENSIONS ARE IN INCHES TOLERANCES ARE:		CAD GENERATED DRAWING. DO NOT MANUALLY UPDATE		AMS CONTROLS, INC.	
DECIMALS X ± .030 XX ± .010 XXX ± .005 XXXX ± .001	FRACTIONS ± 0.10 ANGLES ± 0.50	APPROVALS	DATE		
MATERIAL see notes		DRAWN RDH	06-02-11	KMW-12 Dimensional Drawing	
FINISH see notes		CHECKED			
DO NOT SCALE DRAWING		RESP ENG		SIZE B	DWG. NO. V1
		MFG ENG		SCALE	CAD FILE
		QUAL ENG		REV. A	
				SHEET 1 OF 1	