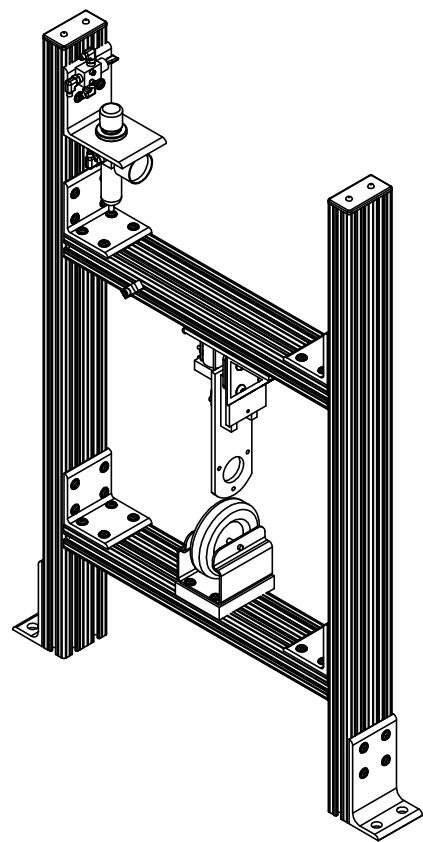
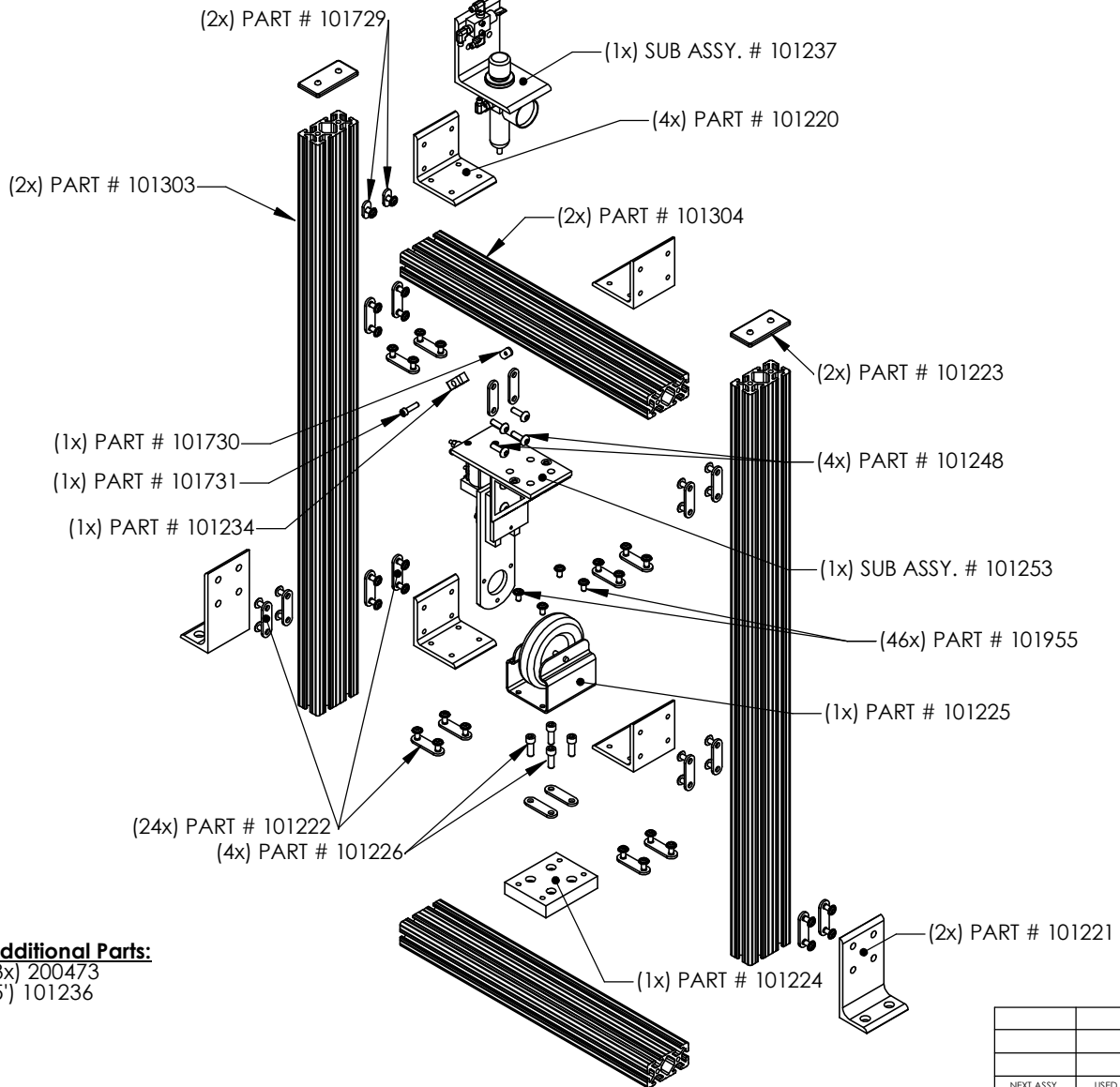


THE INFORMATION CONTAINED IN THIS DRAWING IS THE SOLE PROPERTY OF AMS CONTROLS ANY REPRODUCTION IN PART OR WHOLE WITHOUT THE WRITTEN PERMISSION OF AMS CONTROLS IS PROHIBITED.

REVISIONS			
REV.	DESCRIPTION	DATE	APPROVED

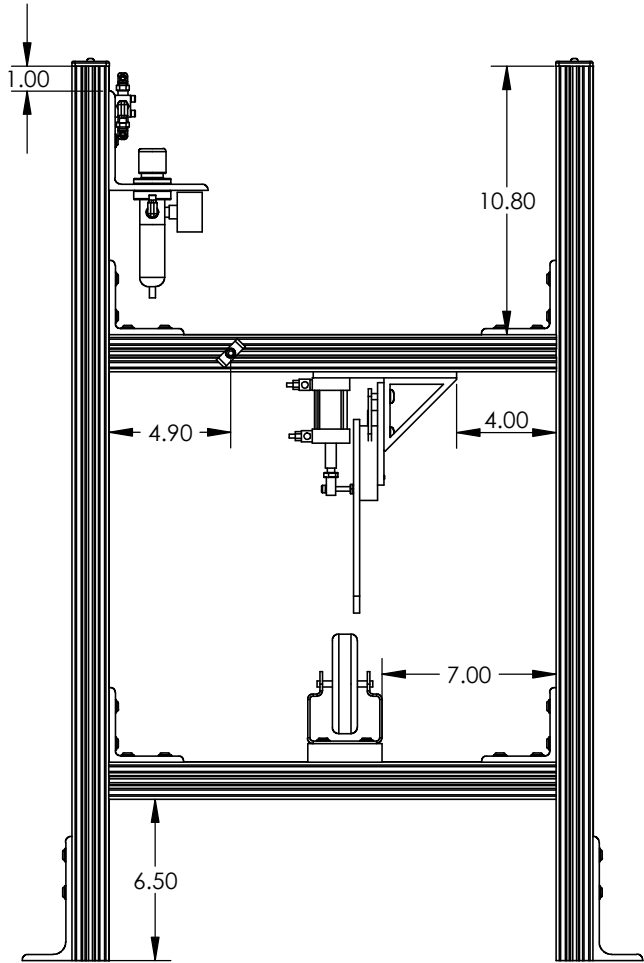


**Additional Parts:**  
 (3x) 200473  
 (5) 101236

ITEM NO.	PART OR IDENTIFYING NO.	NOMENCLATURE OR DESCRIPTION	MATERIAL SPECIFICATION	QTY REQD.
PARTS LIST				
UNLESS OTHERWISE SPECIFIED DIMENSIONS ARE IN INCHES TOLERANCES ARE: FRACTIONS DECIMALS ANGLES +/- .015 + 1		CAD GENERATED DRAWING. DO NOT MANUALLY UPDATE		
MATERIAL		APPROVALS	DATE	AMS Controls, Inc.  100801: BRKT-2 ASSEMBLY
FINISH		DRAWN RDH	10/12/15	
NEXT ASSY USED ON		CHECKED RDH	10/12/15	BRKT-2
APPLICATION		RESP ENG	MFG ENG	
DO NOT SCALE DRAWING		QUAL ENG	SCALE	REV A
			CAD FILE	SHEET 1 OF 2

THE INFORMATION CONTAINED IN THIS DRAWING IS THE SOLE PROPERTY OF AMS CONTROLS ANY REPRODUCTION IN PART OR WHOLE WITHOUT THE WRITTEN PERMISSION OF AMS CONTROLS IS PROHIBITED.

REVISIONS			
REV.	DESCRIPTION	DATE	APPROVED



ITEM NO.	PART OR IDENTIFYING NO.	NOMENCLATURE OR DESCRIPTION	MATERIAL SPECIFICATION	QTY REQD.
PARTS LIST				
UNLESS OTHERWISE SPECIFIED DIMENSIONS ARE IN INCHES TOLERANCES ARE: FRACTIONS DECIMALS ANGLES +/- .015 + 1		CAD GENERATED DRAWING, DO NOT MANUALLY UPDATE		
MATERIAL		APPROVALS		
FINISH		DATE		
NEXT ASSY		DRAWN RDH 10/12/15		
USED ON		CHECKED RDH 10/12/15		
APPLICATION		RESP ENG		
DO NOT SCALE DRAWING		MFG ENG		
		QUAL ENG		
		SIZE DWG. NO. BRKT-2		
		SCALE CAD FILE		
		REV A		
		SHEET 2 of 2		

AMS Controls, Inc.  
  
100801  
BRKT-2 ASSEMBLY

BRKT-2

REV A

SHEET 2 of 2